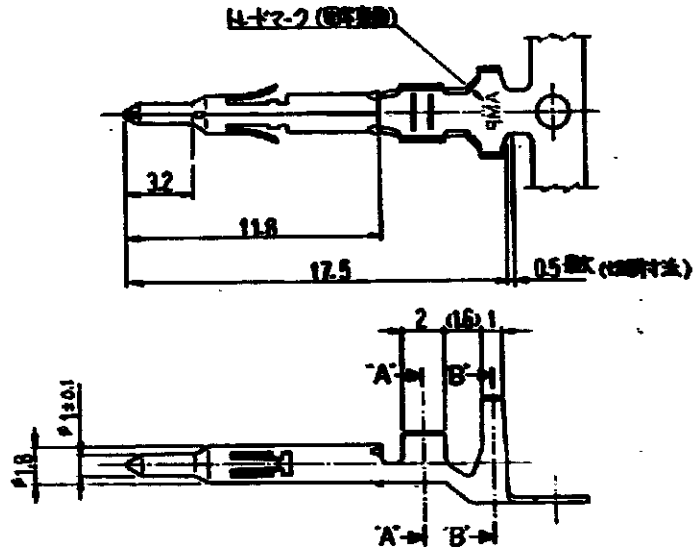
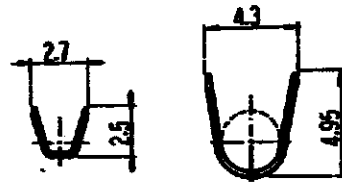


C-171636



注: 1. 公差規格  
 電線規格 100-5151, 100-5138.  
 線材規格 114-5050  
 線径-規格 1S-105J  
 ▲ 2本並列使用  
 ANG#20 (VSF規格規格#24)x2



断面A-A

断面B-B

DO NOT SCALE PRINT

171638-1		図示		171636-1	
LP (K2) 電線		仕様		型番	
<small>OR, TRADE MARK, OR OTHER IDENTIFICATION MARKS RESERVED AND PRODUCTS COVERED BY PATENTS AND/OR OTHER RIGHTS.</small>		<small>TRADE MARK</small>		<small>CUSTOMER COPY (REFERENCE ONLY)</small>	
<small>TRADE MARK</small>				<small>日本エー・エー・シー株式会社</small> <small>TOKYO, JAPAN</small>	
<small>REVISIONS</small> B REVISED 20-707 AT Jo 1/22 A REVISED 20-724 JG 1/19 O RELEASED 20-571 W 1/10		<small>CHANGE (DATE RANGE)</small> A 05-13 20-76 20-32, 24-2 A		<small>VEICLASE</small> <small>PA-TYPE</small>	
<small>LTR. 変更 (REVISION RECORD)</small> DR. CHK. DATE		<small>SCALE</small> 4-1		<small>LOC. DES. BY NO.</small> JA C-171636	
<small>CHK.</small> Jo 1/10 W 1/10		<small>REV</small> B		<small>REV</small> B	
品名: ピンコネクタ (ミニユキサルメイトD-7 線径規格型コネクタ)					